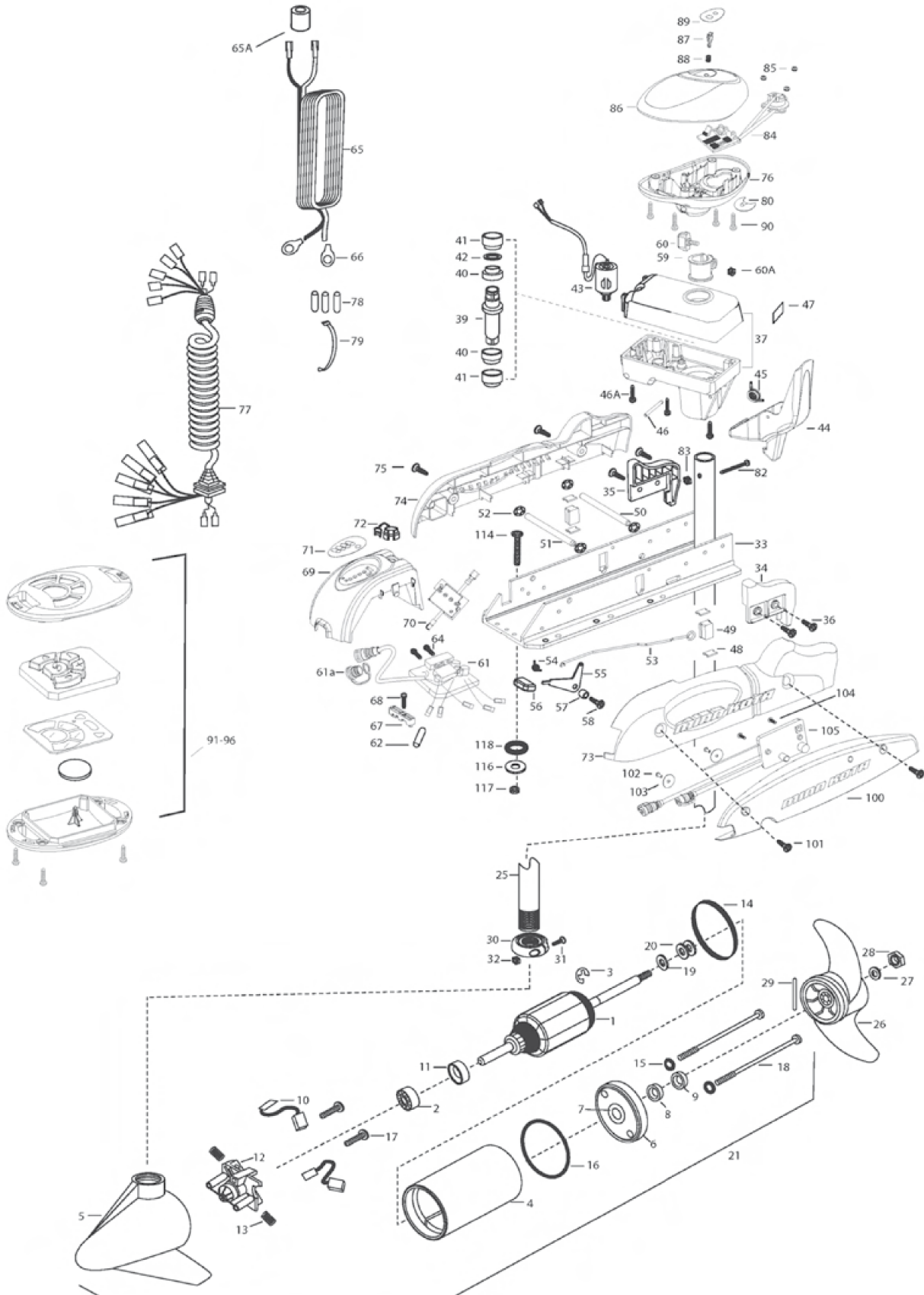




MINN KOTA®

# RIPTIDE 55 SP AUTOPILOT



MINN KOTA®

W W W . N A V I C O M . F R



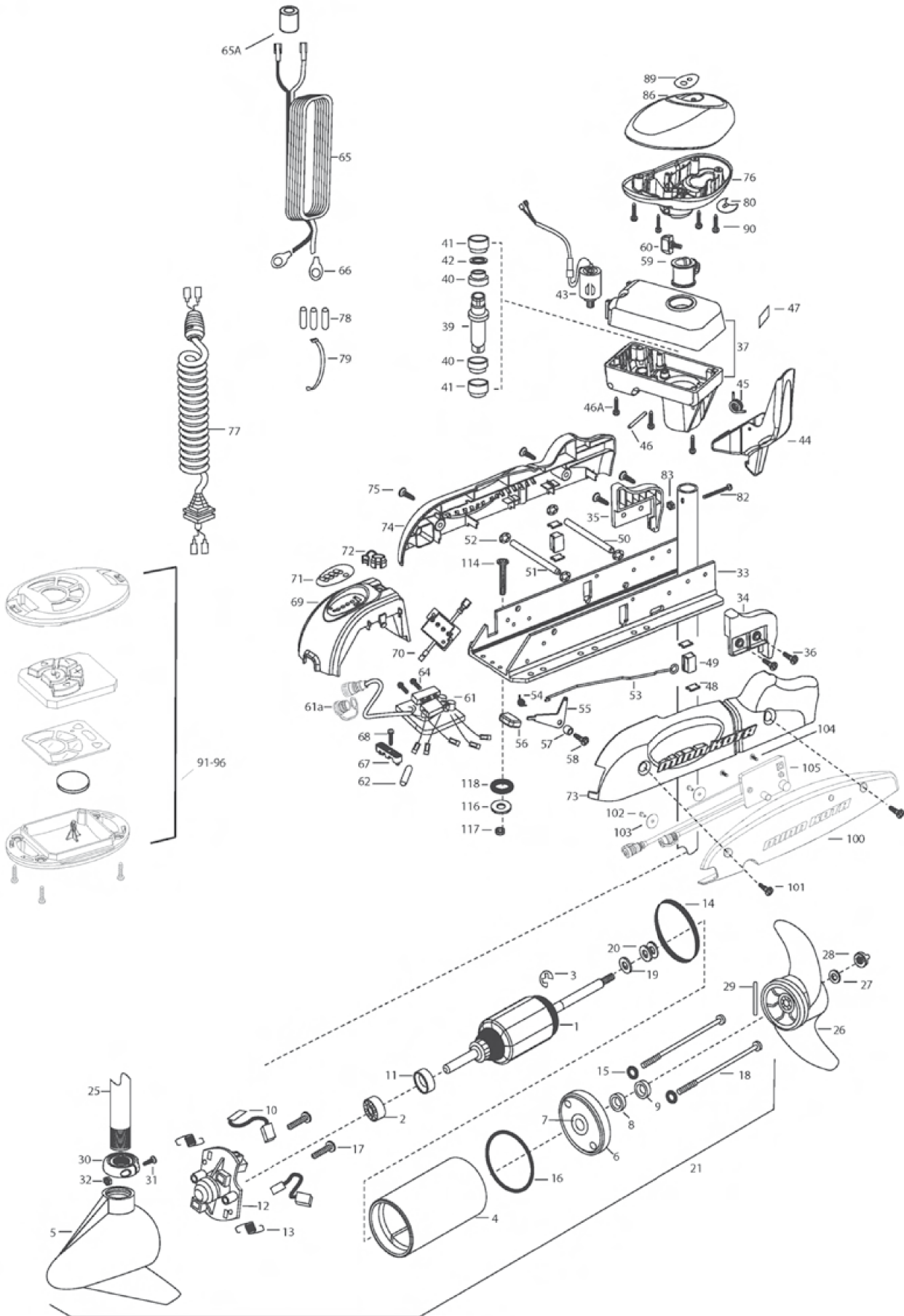


MINN KOTA®

## RIPTIDE 55 SP AUTOPILOT

1	2-100-117	ARMATURE ASSEMBLY 12V VARS TXT	*41	2307305	BUSHING- OUTER [2.EA]	80	2224703	INSERT- PLUG WHITE	
2	140-010	BALL BEARING	*42	2304603	O-RING	82	2332102	SCREW-10-24 X 1-3/4	
3	788-015	RETAINING RING	43	2307050	MOTOR- DRIVE HOUSING HIGH SPD	83	2333101	NUT-HEX 10-24 NYLOC	
4	2-200-301	HOUSING ASSEMBLY CENTER 3.62 TXT	44	2307201	LATCH HANDLE PD/AP	84	2994014	CNTFL BOARD/AP COMPASS ASSEMBLY	
5	421-336	HOUSING -BRUSH END 3.62 TXT	45	2302750	SPRING- LATCH TORSION PD/AP	85	2994015	COMPASS BOARD, SOUT HEMISPHERE	
6	2-400-337	PLAIN END HOUSING ASSEMBLY 3.625	46	2302628	PIN- ROLL 3/16X2 SS	86	2302960	GROMMET-COMPASS [3.EA]	
7	144-049	BEARING - FLANGE (SERVICE ONLY)	46A	2303405	SCREW - DRIVE HOUSING [6 EA]	86	2300243	CONTROL BOX COVER- RIPTIDE WHITE	
8	880-003	SEAL	47	2305564	DECAL-STOW/DEPLOY	87	2304082	ACTUATOR- SWITCH ON/OFF A/P	
9	880-006	SEAL WITH SHIELD	48	2305110	PAD-PIVOT SUPT [4.EA]	88	2303752	SPRING- ACTUATOR PD/AP SS	
10	188-036	BRUSH ASSEMBLY [2.EA]	49	2305103	PIVOT PAD- NEW MTRL [2.EA]	89	2305655	DECAL- COVER 55 pd/lap	
11	725-050	BRUSH RETENTION- PAPER TUBE	50	2330510	PIN-LATCH PD BASE SS	90	2372100	SCREW-8-18 X 5/8 THD CUT [4.EA]	
12	738-036	BRUSH PLATE W/HOLDER	51	2330520	PIN-PIVOT PD BASE SS	91	2994020	COPILOT TRANSMITTER	
13	975-040	SPRING - TORSION [2.EA]	52	2013100	NUT-SPEED [4.EA]	91		CASE, COVER, TRANSMITTER	
14	337-036	GASKET	53	2303612	ROD-RELEASE RT/AP S	92		KEYPAD	
15	701-008	O-RING, THRU-BOLT [2.EA]	54	2322700	SPRING-RELEASE LEVER	93		CIRCUIT BOARD, TRANSMITTER	
16	701-081	O-RING	55	2333705	LEVER-RELEASE SS	94		BATTERY, COIN	
17	830-007	SCREW-8-32 [2.EA]	56	2300101	RELEASE-KNOB	95		CASE, BOTTOM, TRANSMITTER	
18	830-042	THRU-BOLT 10-32X8.83 [2.EA]	57	2301700	SPACER-RELEASE LEVER	96		SCREW, TRANSMITTER [4EA]	
19	990-067	WASHER- STEEL THRUST	58	2332104	SCREW-1/4-20 X 5/8 SS	96		RECEIVER ASSEMBLY V2, COPILOT	
20	990-070	WASHER - NYLATRON [2.EA]	59	2031522	COLLAR- DRIVE (W/INSERT)	100	2994089	RECEIVER ASSEMBLY V2, COPILOT	
21	2097095	MOTOR ASSEMBLY 12V 3.62 48"	60	2011366	SCREW-COLLAR/NEW KNOB SS	101	2372511	CASE, RECEIVER WHT	
25	2097100	MOTOR ASSEMBLY 12V 3.62 60"	60A	2323104	NUT	101	2373442	SCREW 1/4-20 X 1.75 SS [2EA]	
2032021	TUBE- COMPOSITE WHT 48"	2032022	TUBE- COMPOSITE WHT 54"	61	2304062	CONTROL BOARD ASSEMBLY- 12V	102	2373450	SCREW #8 X 3/8 [2EA]
2032022	TUBE- COMPOSITE WHT 54"	2032025	TUBE- COMPOSITE WHT 60"	61a	2320208	DUST PLUG	103	2371727	WASHER [2EA]
2032025	TUBE- COMPOSITE WHT 60"	1378131	PROPELLER KIT	62	2355403	SHRINK TUBE-3/8 ODX2	104	2373418	SCREW #8 X 5/8 SS
26	2091160	PROPELLER W/WEDGE 2	64	2303434	SCREW-8-32 X 5/8 [3.EA]	105	2374089	CIRCUIT BOARD V2, RECEIVER	
27	2151726	WASHER-5/16 SS	65	2090651	LEADWIRE IOGA 44"	114	2994864	BAG ASSEMBLY- (BOLT,NUT,WASHERS)	
28	2198400	ANODE- ZINC 3.25/3.625 LWR U	65A	2307310	BEAD - FERRITE (CE MODELS ONLY)	116	2263462	BOLT-MOUNTING-1/4X2 W/STG [6.EA]	
29	2092600	PIN-DRIVE	66	2020700	TERMINAL RING [2.EA]	116	2261713	WASHER-1/4 [6.EA]	
30	2301545	COLLAR- LATCH PD/AP	67	2321310	STRAIN RELIEF- BRACKET PD/AP	117	2263103	NUT NYLOK 1/4-20 MTG [6 EA]	
31	2303434	SCREW- 8-32X5/8 MACH PHCR	68	2323405	SCREW-1/4-20 X 5/8 SS	118	2301720	WASHER-MOUNTING RUBBER [6.EA]	
32	2303112	NUT 8-32 NYLOC SS	69	2306556	HOUSING- CENTER PD/AP WHIT	118		SEAL & ORING KIT	
33	2301937	EXTRUSION- BASE MACHINED	70	2074080	BATTERY GAUGE - 12 VOLT				
34	2303932	MOTOR REST- RIGHT 3-5/8	71	2316606	DECAL- BATT GAUGE H RT AP				
35	2303937	MOTOR REST- LEFT 3-5/8	72	2302935	STRAIN RELIEF-DR. HOUSING				
36	2332104	SCREW 1/4-20X5/8 SS SELF TAP [4.EA]	73	2303944	SIDEPLATE (RIGHT) WHITE				
37	2771827	DRIVE HOUSING / LATCH HANDLE WHITE	74	2303949	SIDEPLATE(LEFT) WHITE				
38	2882011	BUSHING/OUTSHAFT KIT (INCLUDES 39-42)	75	2332104	SCREW-1/4-20 X 5/8 SS				
39	2302010	DRIVE HOUSING OUTPUT SHAFT	76	2302516	CONTROL BOX WHT				
40	2307304	BUSHING- INNER [2.EA]	77	2991285	COIL CORD W/STRAIN RELIEF 48, 54"				
			78	2065400	WIRE INSULATOR-LGE 1-3/4 [3.EA]				
			79	2256300	TIE WRAP-5" BLACK				

## RIPTIDE 55 SP POWERDRIVE





MINN KOTA®

# RIPTIDE 55 SP POWERDRIVE

1	2-100-117	ARMATURE ASSEMBLY 12V VARS TXT	*42	2304603	O-RING	79	2256300	TIE WRAP-5" BLACK
2	140-010	BALL BEARING	43	2307050	MOTOR- DRIVE HOUSING HIGH SPD	80	2224703	INSERT- PLUG WHITE
3	788-015	RETAINING RING	44	2307201	LATCH HANDLE PD/AP	82	232102	SCREW-10-24 X 1-3/4
4	2-200-301	HOUSING ASSEMBLY CENTER 3.62 TXT	45	2302750	SPRING- LATCH TORSION PD/AP	83	2333101	NUT-HEX 10-24 NYLOC
5	421-336	HOUSING -BRUSH END 3.62 TXT	46	2302628	PIN- ROLL 3/16X2 SS	86	2300243	CONTROL BOX COVER- RIPTIDE WHITE
6	2-400-337	PLAIN END HOUSING ASSEMBLY 3.625	46A	2303405	SCREW - DRIVE HOUSING [6 EA]	89	2315689	DECAL- COVER 55pd
7	144-049	BEARING - FLANGE (SERVICE ONLY)	47	2305564	DECAL-STOW/DEPLOY	90	2372100	SCREW-8-18 X 5/8 THD CUT [4.EA]
8	880-003	SEAL	48	2305110	PAD-PIVOT SUPT [4.EA]	■	2994020	COPILOT TRANSMITTER
9	880-006	SEAL WITH SHIELD	49	2305103	PIVOT PAD- NEW MTR'L [2.EA]	91		CASE, COVER, TRANSMITTER
10	188-036	BRUSH ASSEMBLY [2.EA]	50	2330510	PIN-LATCH PD BASE SS	92		KEYPAD
11	725-050	BRUSH RETENTION- PAPER TUBE	51	2330520	PIN-PIVOT PD BASE SS	93		CIRCUIT BOARD, TRANSMITTER
12	738-036	BRUSH PLATE W/HOLDER	52	2013100	NUT-SPEED [4.EA]	94		BATTERY, COIN
13	975-040	SPRING - TORSION [2.EA]	53	2303612	ROD-RELEASE RT/AP S	95		CASE, BOTTOM, TRANSMITTER
14	337-036	GASKET	54	2322700	SPRING-RELEASE LEVER	96		SCREW, TRANSMITTER [4EA]
15	701-008	O-RING, THRU-BOLT [2.EA]	55	2333705	LEVER-RELEASE SS	■	2994089	RECEIVER ASSEMBLY V2, COPILOT
16	701-081	O-RING	56	2300101	RELEASE-KNOB	100	2372511	CASE, RECEIVER WHT
17	830-007	SCREW-8-32 [2.EA]	57	2301700	SPACER-RELEASE LEVER	101	2373442	SCREW 1/4-20 X 1.75 SS [2EA]
18	830-042	THRU-BOLT 10-32X8.83 [2.EA]	58	2332104	SCREW-1/4-20 X 5/8 SS	102	2373450	SCREW #8 X 3/8 [2EA]
19	990-067	WASHER- STEEL THRUST	59	2031522	COLLAR- DRIVE (W/INSERT)	103	2371727	WASHER [2EA]
20	990-070	WASHER - NYLATRON [2.EA]	60	2011366	SCREW-COLLAR/NEW KNOB SS	104	2373418	SCREW #8 X 5/8 SS
21	2097095	MOTOR ASSEMBLY 12V 3.62 48"	60A	2323104	NUT	105	2374089	CIRCUIT BOARD V2, RECEIVER
25	2032021	TUBE-CARBON COMPOSITE WHT 48"	61	2304060	CONTROL BOARD ASSEMBLY- 12V PD	■	2994864	BAG ASSEMBLY- (BOLT/NUT,WASHERS)
■	1378131	PROPELLER KIT	61a	2320208	DUST PLUG	*114	2263462	BOLT-MOUNTING-1/4X2 W/STG [6.EA]
26	2091160	PROPELLER W/WEDGE 2	62	2355410	SHRINK TUBE-3/8 ODX2	*116	2261713	WASHER-1/4 [6.EA]
27	2151726	WASHER-5/16 SS	64	2303434	SCREW-8-32 X 5/8 [3.EA]	*117	2263103	NUT NYLON 1/4-20 MTG [6.EA]
28	2198400	ANODE- ZINC 3.25/3.625 LWR U	65	2090651	LEADWIRE IOGA 44"	*118	2301720	WASHER-MOUNTING RUBBER [6.EA]
29	2092600	PIN-DRIVE	65A	2307310	BEAD - FERRITE (CE MODELS ONLY)	■	2888460	SEAL & ORING KIT
30	2301545	COLLAR- LATCH PD/AP	66	2020700	TERMINAL RING [2.EA]			
31	2303434	SCREW- 8-32X5/8 MACH PHCR	67	2321310	STRAIN RELIEF- BRACKET PD/AP			
32	2303112	NUT 8-32 NYLOC SS	68	2323405	SCREW-1/4-20 X 5/8 SS			
33	2301937	EXTRUSION- BASE MACHINED	69	2306556	HOUSING- CENTER PD/AP WHIT			
34	2303932	MOTOR REST- RIGHT 3-5/8	70	2074080	BATTERY GAUGE - 12 VOLT			
35	2303937	MOTOR REST- LEFT 3-5/8	71	2316606	DECAL- BATT GAUGE H RT AP			
36	2332104	SCREW 1/4-20X5/8 SS SELF TAP [4.EA]	72	2302935	STRAIN RELIEF-DR. HOUSING			
37	2771827	DRIVE HOUSING / LATCH HANDLE WHITE	73	2303944	SIDEPLATE (RIGHT) WHITE			
■	2882011	BUSHING/ OUTSHAFT KIT (INCLUDES 39-42)	74	2303949	SIDEPLATE(LEFT) WHITE			
*39	2302010	DRIVE HOUSING OUTPUT SHAFT	75	2332104	SCREW-1/4-20 X 5/8 SS			
*40	2307304	BUSHING- INNER [2.EA]	76	2302516	CONTROL BOX WHT			
*41	2307305	BUSHING- OUTER [2.EA]	77	2991280	COIL CORD W/STRAIN RELIEF 48, 54"			
			78	2065400	WIRE INSULATOR-LGE 1-3/4 [3.EA]			